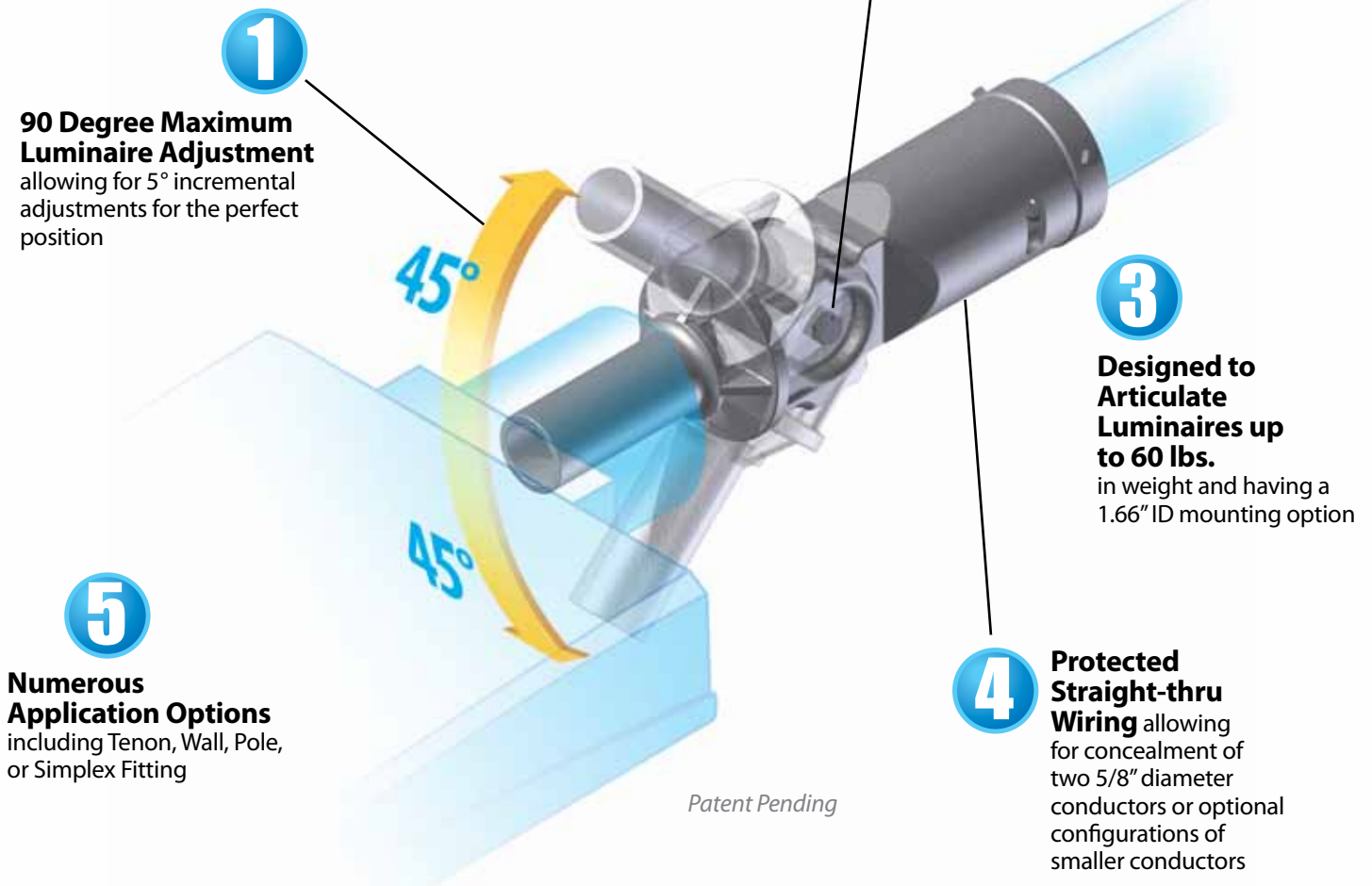


# Luminaire Adjustable View Pelco's Lumi-Brac

Many luminaires are simply not positioned for maximum optical efficiency due to pole settlement.

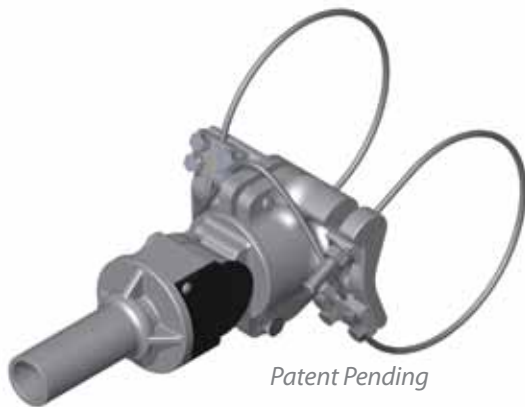
Pelco has designed the first bracket with the sole purpose of adjusting luminaires to the optimal position/angle allowing light to be distributed where it was intended to be without adjusting the pole or arm.



# Place Luminaires Where They're Most Needed - *and know they'll stay there!*

## Additional Lumi-Brac Features:

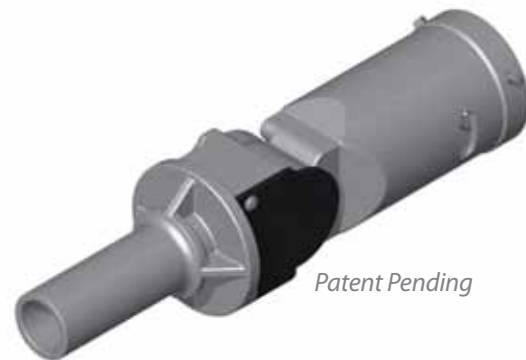
- Durable Cast Aluminum
- Numerous Powder Coat Finishes Available
- Stainless Steel Hardware
- UV Resistant Cable Access Panel



*Patent Pending*

### **Cable**

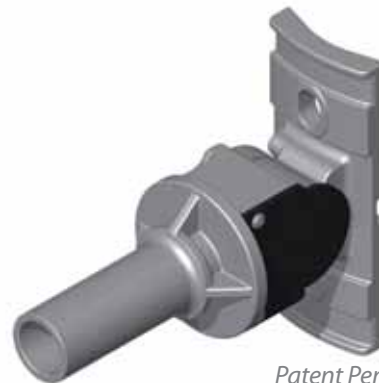
Direct pole mounting from 4" - 18" in diameter with stainless steel cable  
Part No. SP-6351



*Patent Pending*

### **Tenon Mount**

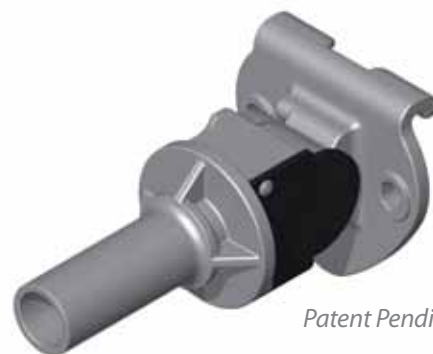
For 2- 3/8" OD Luminaire Arms  
Part No. SP-6350



*Patent Pending*

### **Wall or Pole**

Direct wall or pole mounts installed with either lag screws or banding  
Part No. SP-6352



*Patent Pending*

### **Simplex**

Mating to luminaire arm simplex fittings  
Part No. SP-6353

For more information, visit [pelcoinc.com](http://pelcoinc.com) or call your Pelco representative today, 405.340.3434.

