

# Streetscape Lighting Series Windsor

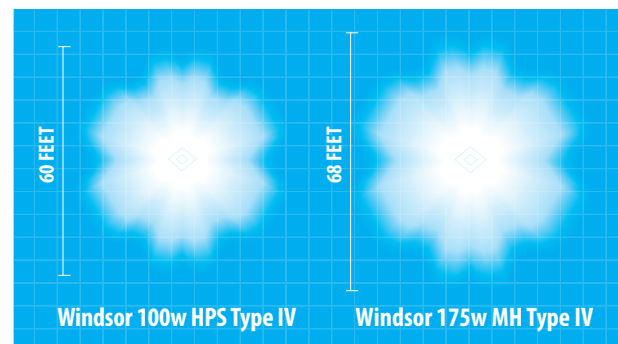


▶ **Beautiful,  
Affordable  
Lighting Solutions**



# ► The Pelco Windsor Streetscape Lighting Series Offers *Extended* Durability & Longevity.

Pelco's Windsor Lighting series is an ideal light for neighborhoods, campuses and downtown lighting solutions. Made of higher quality materials, the Windsor light surpasses the competition with excellent building materials such as its thicker lenses and higher quality powder coat.



## 1 Impact-Resistant

Cast aluminum fixture body resists wear and tear.

## 2 Thicker Lenses

Pelco uses a thicker Acrylic Prismatic lens for the Windsor, ensuring a longer-lasting product.

## 3 Thicker Castings

A heavier, more durable aluminum frame ensures the Windsor's longevity and ability to withstand the test of time.

## 4 Choice of Finial

Multiple styles of finials enhance the look of the product while providing a variety of design options.

## 5 Paint Longevity

Available in numerous colors, Pelco's powder coating process ensures years of wear.

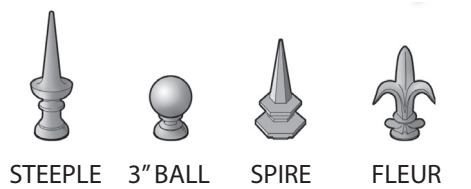
## 6 Durable Electronics

Photo control and a high quality ballast and components mean more years of use.

## ► Windsor Ordering Specifications

FIXTURE	DESCRIPTION	PART NO.
WINDSOR FIXTURE	High Pressure Sodium	AP-0216
WINDSOR FIXTURE	Metal Halide	AP-0217
WINDSOR FIXTURE	LED	AP-0392

DECORATIVE FINIALS	PART NO.
STEEPLE	ST
3" BALL	BL
SPIRE	SI
FLEUR	FL



WATTS	DESCRIPTION	PART NO.
50	High Pressure Sodium	50HPS
100	High Pressure Sodium	100HPS
150	High Pressure Sodium	150HPS
100	Metal Halide	100MH
150	Metal Halide	150MH
175	Metal Halide	175MH
35	LED	35LED
55	LED	55LED
70	LED	70LED

VOLTAGE	PART NO.
120VAC	120V
240VAC	240V
277VAC	277V
480VAC	480V

PHOTO CELL OPTIONS	PART NO.
No Photo Cell Socket	NPC
Twist Lock Socket Only	PCS
Photo Cell Supplied	PC

LENS MATERIAL	PART NO.
Acrylic	AC

ADDITIONAL OPTIONS	PART NO.
WINDSOR WALL MOUNT ARM	AP-8230
WINDSOR TWIN ARM	AP-8374
PIER MOUNT	AP-8195

STANDARD FINISHES	PART NO.
TEXTURED BLACK	P59
GLOSS BLACK	P33
FLAT BLACK	P34
ANTIQUÉ BLACK	P44
GLOSS WHITE	P45
CRATERED PEWTER	P49
BRONZE	P39
CRATERED BRONZE	P51
RUSTIC BROWN	P54
FOREST GREEN	P36
AUTOMATIC GREEN	P30
SUN GOLD	P28
SILVER	P40

Note:  
Pelco can match your custom colors. Please provide the following and contact Pelco for pricing.  
Custom powder: RAL number or paint chip.  
Wet paint: Federal Standard 595 paint code or paint chip.  
Special setup and paint charge will apply.

Notes:  
1. All assemblies are supplied standard with stainless fasteners.  
2. Please specify options when ordering.

### Ordering Example

FIXTURE	WATTAGE/BALLAST	VOLTAGE	PHOTOCELL	FINIAL SIZE/COL.	FIXTURE COLOR
AP-0216	100MH	120V	PCS	ST59	P59



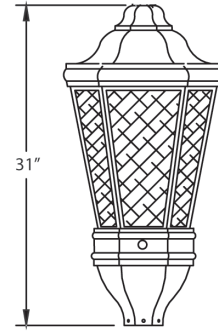
*For outstanding quality and easy maintenance, the Windsor is an excellent lighting choice.*

*Call Pelco to learn more.  
405.340.3434  
pelcoinc.com*

**Innovation**  
**Quality**  
**Service**

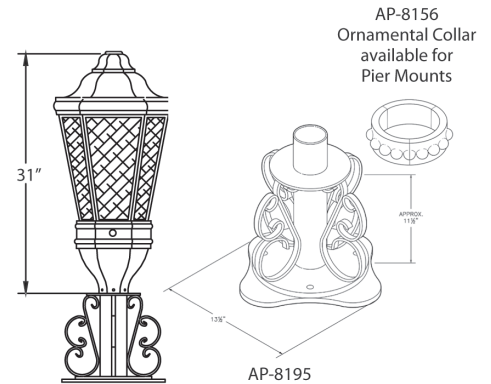
## Fixtures

The Windsor Series fixture is available in High Pressure Sodium, Metal Halide or LED and is manufactured using the latest technology. Each fixture is designed with a unique modular electrical unit for easy service access.



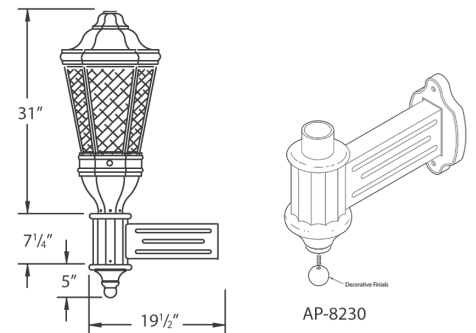
## Pier Mount

The Windsor Pier Mount has an ornamental pedestal and is an elegant way to illuminate any entry. Designed to complement the Windsor street lamps, this post and base can be customized with an ornamental collar, and is designed to be mounted on a stone wall or pillar.



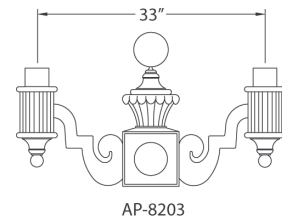
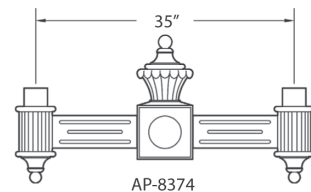
## Wall Mount

The Windsor Wall Mount is the perfect addition to any building. Strong architectural lines combined with the elegance of our Windsor Series fixture will compliment your project.



## Twin Arm

The Windsor Series Twin Arm offers designers an affordable, beautiful solution to add safety and security to building exteriors. The assembly adds elegance to your project and can be enhanced by choosing a custom finial.



# ► Pelco Products offers a full line of high quality utility products.

Davit Arms

Lighting Solutions

Light Poles

Mobile Home Meter Pedestals

Foundation Anchors



Capacitor Bank  
Junction Boxes  
& Meter Sockets

Customized  
Solutions

Utility Mounting  
Brackets  
& Banding

Transformer  
Wiring Harness

Theft  
Deterrent  
Products



405.340.3434 • [sales@pelcoinc.com](mailto:sales@pelcoinc.com)  
320 West 18th Street • Edmond, OK 73013  
[www.pelcoinc.com](http://www.pelcoinc.com)

Please contact Pelco Products  
for more information  
by calling 405.340.3434  
or email us at [sales@pelcoinc.com](mailto:sales@pelcoinc.com).